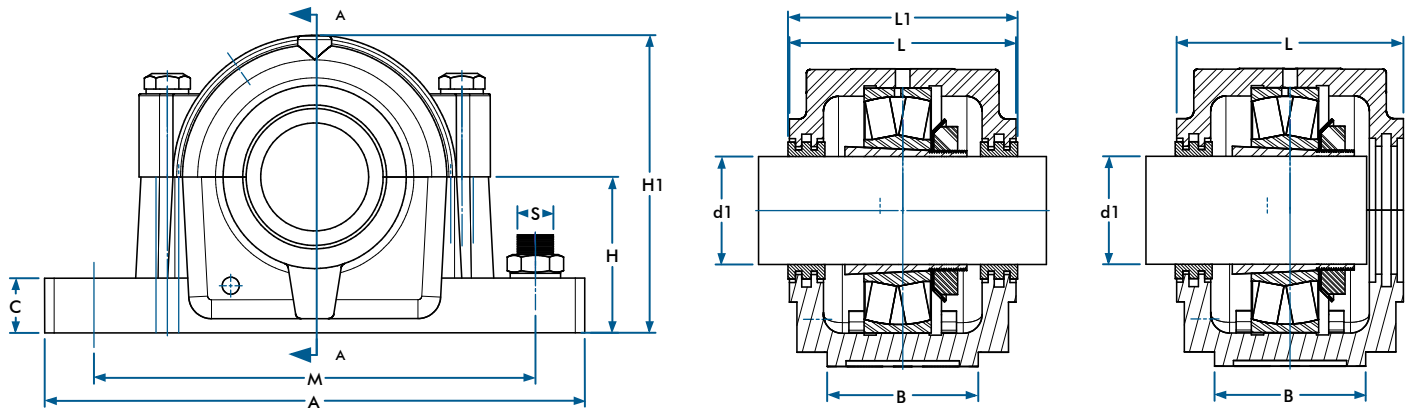


SAF Housing- 500 Series



Part Number	Shaft Size	H	H1	L	L1	A	B	C	M max.	M min.	E	S Bolt	X	Wt. (lb)
SAF511	1 15/16	2.750	5.25	3.75	4.50	9.63	2.75	0.94	7.88	7.38	-	(2) 5/8	1.09	12.5
SAF513	2 3/16	3.000	5.94	4.25	4.50	11.00	3.13	1.00	9.50	8.13	-	(2) 5/8	1.28	19.0
FSAF513	2 3/16	3.000	5.94	4.25	4.50	11.00	3.13	1.00	9.50	8.13	2.00	(4) 1/2	1.28	18.3
SAF515	2 7/16	3.250	6.38	4.63	4.75	11.25	3.13	1.13	9.63	8.63	-	(2) 5/8	1.38	18.3
FSAF515	2 7/16	3.250	6.38	4.63	4.75	11.25	3.13	1.13	9.63	8.63	1.88	(4) 1/2	1.38	17.9
SAF516	2 11/16	3.500	6.88	4.75	4.88	13.00	3.50	1.19	11.00	9.63	-	(2) 3/4	1.44	27.3
FSAF516	2 11/16	3.500	6.88	4.75	4.88	13.00	3.50	1.19	11.00	9.63	2.13	(4) 5/8	1.44	26.9
SAF517	2 15/16	3.750	7.31	4.81	5.00	13.00	3.50	1.25	11.00	9.88	-	(2) 3/4	1.53	31.8
FSAF517	2 15/16	3.750	7.31	4.81	5.00	13.00	3.50	1.25	11.00	9.88	2.13	(4) 5/8	1.53	29.8
SAF518	3 3/16	4.000	7.75	5.50	5.75	13.75	3.88	1.31	11.63	10.38	-	(2) 3/4	1.69	36.6
FSAF518	3 3/16	4.000	7.75	5.50	5.75	13.75	3.88	1.31	11.63	10.38	2.13	(4) 5/8	1.69	37.5
SAF520	3 7/16	4.500	8.75	5.81	6.00	15.25	4.38	1.75	13.13	11.63	-	(2) 7/8	2.00	52.5
FSAF520	3 7/16	4.500	8.75	5.81	6.00	15.25	4.38	1.75	13.13	11.63	2.38	(4) 3/4	2.00	50.3
SAF522	3 15/16	4.938	9.63	6.44	6.50	16.50	4.75	2.00	14.50	12.63	2.75	(4) 3/4	2.06	69.2
SAF524	4 3/16	5.250	10.25	7.13	7.38	16.50	4.75	2.13	14.50	13.25	2.75	(4) 3/4	2.22	71.2
SAF526	4 7/16	6.000	11.50	7.75	8.00	18.38	5.13	2.38	16.00	14.63	3.25	(4) 7/8	2.38	94.8
SAF528	4 15/16	6.000	11.75	7.38	7.63	20.13	5.88	2.38	17.13	16.00	3.38	(4) 1	2.50	110.0
SAF530	5 3/16	6.313	12.50	8.13	8.38	21.25	6.25	2.50	18.25	17.00	3.75	(4) 1	2.72	138.0
SAF532	5 7/16	6.688	13.31	8.50	8.75	22.00	6.25	2.63	19.25	17.38	3.75	(4) 1	2.94	158.0
SAF534	5 15/16	7.063	14.19	9.25	9.63	24.75	6.75	2.75	21.63	19.38	4.25	(4) 1	3.09	185.0
SAF536	6 7/16	7.500	14.88	9.63	10.00	26.75	7.13	3.00	23.63	20.88	4.63	(4) 1	3.13	217.0
SAF538	6 15/16	7.875	15.69	10.50	10.75	28.00	7.50	3.13	24.38	21.63	4.50	(4) 1 1/4	3.28	285.0
SAF540	7 3/16	8.250	16.50	11.00	11.25	29.50	8.00	3.38	25.00	22.50	5.00	(4) 1 1/4	3.44	331.0
SAF544	7 15/16	9.500	18.63	11.75	12.00	32.75	8.75	3.75	27.88	24.75	5.25	(4) 1 1/2	3.81	391.0